




"Access Innovations Since 1955"

Workcage and Wire Winder Operator's Manual

WARNING:

Any use of this equipment other than in strict accordance with these instructions shall be at the Operator's risk and may result in serious injury. **TO EMPLOYER AND OR RENTAL AGENCY**
It is imperative that this manual be given to the operator of Sky Climber equipment and that they read, fully understand, and follow all instructions contained herein.

LOW PROFILE KNOCK DOWN WORK CAGE
 Part No. 106-203 or 106-203 - X
 Classified as to load capacity only
 342J



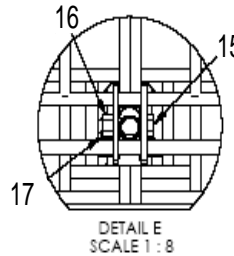
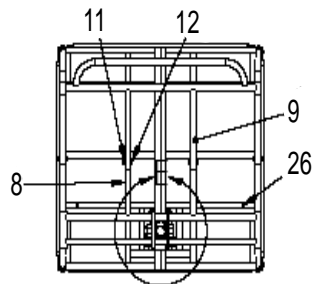
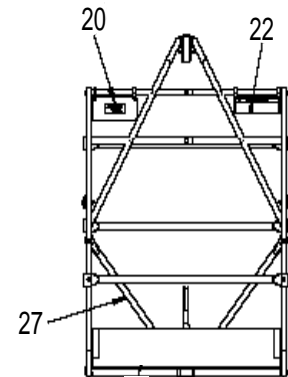
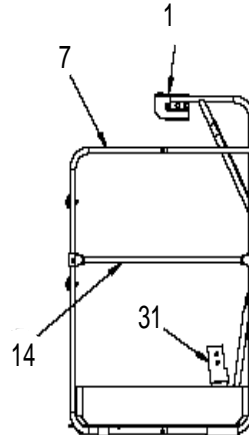
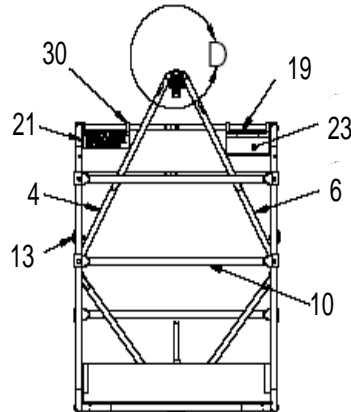
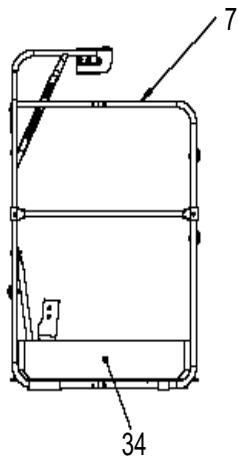
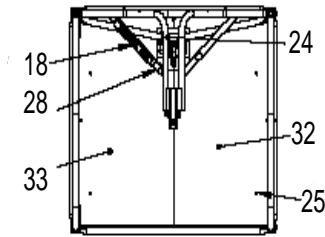
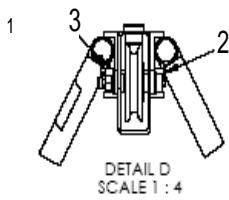
WARNING:
 Metal Scaffolding devices should not be used where contact may be made with electrical circuits. Warning: corrosive substance hazard acids and other corrosive substances may severely affect the strength of metal scaffolding devices. Use extreme caution around such materials and follow safety instructions.

- _ Before using check all parts for proper function and damage to component parts.
- _ Do not use a damaged work cage or platform, any platform exposed to excessive heat, as in the case of fire, should be immediately removed from service and destroyed due to loss of structural strength.
- _ Do not permit oil, grease or slippery material to accumulate on platform deck surface.
- _ Do not use the product if the decking surface is damaged or has deteriorated. If wood is used, periodically coat wood decking with a clear wood preservative.
- _ Do not paint wood decking.
- _ Do not allow unstable objects such as barrels, boxes, loose bricks, tools, sand or debris to accumulate on work surface. Never climb onto workcage or platform from a ladder unless both the platform and the ladder are secured from movement.
- _ Do not use acids or other corrosive substances on a work cage without consulting with the manufacturer.
- _ Do not use a metal platform where contact may be made with electrical circuits.
- _ Do not operate platform without properly wearing and attaching personal fall arrest equipment and independent life lines.
- _ Know and understand proper operating procedures for suspended access platforms and workcages as called out in the scaffold industry association code of safety practices for suspended power scaffolds.
- _ Questions should be directed to manufacturer at 800-255-4629.

LOW PROFILE KNOCK DOWN WORK CAGE

Standard Configuration and Assembly Parts

DTE: DIMENSIONS IN [] ARE IN MM



Order of Assembly:

- Roller bumpers
- Power cord with strain relief
- Hoist and Sky Lock
- Reeving thread through workcage

Specifications:

- 1000 lbs. load capacity
- 37" W x 34 1/2" D
- Weight: 102 lbs.

Item	Qty	Part #	Description	Item	Qty	Part #	Description
1	1	106-223	Seave Case Assembly	18	1	110-110	Name Decal
2	2	107-81	Screw	19	1	106-231	Plate, Label Attach
3	2	100-180	Nut	20	1	106-229	Decal Identification
4	1	106-209-1	Right Hand Main Frame	21	1	106-145	Name Plate-Loading
5	1	106-209-2	Left Hand Main Frame	22	1	106-227	Decal, Warning
6	1	106-214-1	Forward Frame Right	23	1	106-230	Decal, Instruction Generic
7	1	106-215-2	Forward Frame Left	24	2	100-123	Hex Head Screw
8	1	106-210-1	Floor Frame Weldment	25	2	106-216	Side Kick Board
9	1	106-210-2	Floor Frame Weldment	26	2	106-216	Kick Board Assembly
10	3	106-22	Adjustable Cross Bar	27	1	106-215-1	Right Side Floor
11	22	101-73	Nut	28	1	106-215-2	Left Side Floor
12	8	101-71-1	Screw	29	4	107-1071	Hex Head Screw
13	12	107-110	Screw	30	4	107-1071	Hex Head Screw
14	2	106-218	Side Cross Bar	31	2	106-213	Brace, Work Cage
15	1	106-170	Bolt	32	2	106-197	Reeving Decal
16	1	107-300	Nut	33	4	129777	Rivet Blind
17	1	113-22	Pin Cotter	34	4	106-103	Clamp
				35	1	106-200-1	Stirrup, LPKD Work Cage

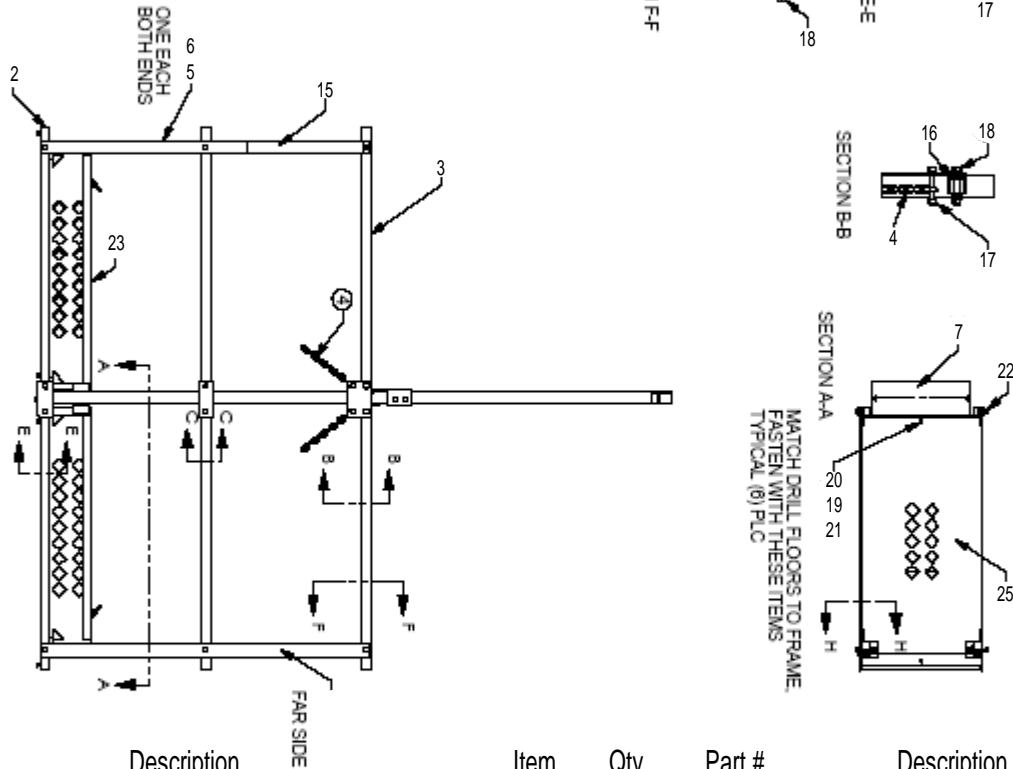
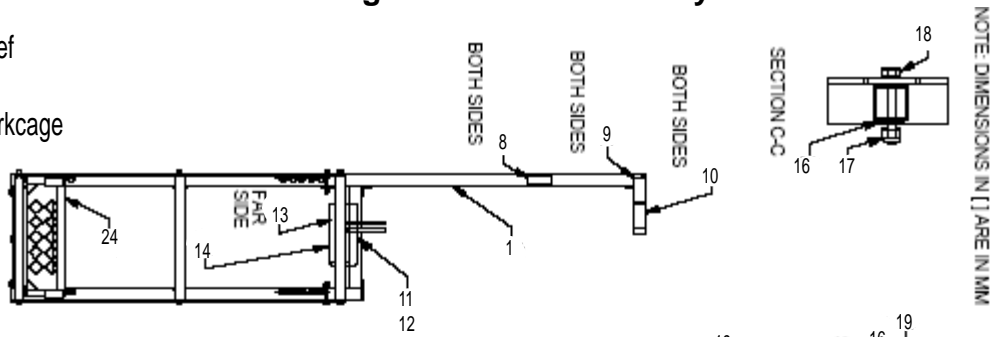
Sky Climber, LLC 1800 Pittsburgh Drive, Delaware, Ohio 43015
 Phone: 800/255-4629 or 740/203-3900 Fax 740/203-3901

FOLD UP WORK CAGE

Standard Configuration and Assembly Parts

- Order of Assembly:
 Roller bumpers
 Power cord with strain relief
 Hoist and Sky Lock
 Reeving thread through workcage

- Specifications:
 500 lbs. load rating each side of cage
 70" W x 17 1/4" D
 Weight: 124 lbs.



Item	Qty	Part #	Description	Item	Qty	Part #	Description
1	1	106-196-1	Center Frame	2	2	106-196-12	Floor Frame
3	4	106-196-9	Guardrail	4	4	106-196-04	3/16 x 50.5 chain
5	2	106-196-21-L	Corner Up right	6	2	106-196-21-R	Corner Up right
7	1	106-196-39	Mid-floor board	8	2	106-228	Decal Rigging
9	2	106-226	Decal Identification	10	2	106-199	Decal Loading
11	1	106-231	Plate, Label	12	2	129777	Rivet
13	1	106-230	Decal Instructions	14	1	106-227	Decal Warning
15	2	110-111	Decal Logo	16	40	107-625	Washer
17	28	108090	Nut	18	24	103811	Nut
19	6	108085	Nut	20	6	107-100	Nut
21	5	131080	Washer	22	4	103805	Nut
23	2	106-196-18	Floor Board	24	1	106-196-38	End toe board wood
25	4	106-196-37	Side toe board wood				

Inspection prior to installation:

- _ Operating instructions are kept with stage at all times.
- _ Reject & replace parts when the following failures are noticed:
 - _ Cracked or torn welds.
 - _ Cracked or torn materials.
 - _ Deformations that could endanger the structural strength.
 - _ Deformations that would not allow normal installation.
 - _ Deformed or cracked connecting holes.
 - _ Damaged, missing or illegible decals indicating load ratings, configurations etc.
 - _ Missing or loose bolts/screws and locking nuts.

Inspection after installation:

- _ Inspect the work cage assembly after installation and prior to each workshift.
- _ Verify load rating per this manual or decals and verify this load will not be exceeded.
- _ Verify all connections have the proper bolt/screw to locking nut.
- _ Verify each floor board is properly installed and secured to frame of work cage.
- _ Verify each toe board is properly installed to the frame of work cage.
- _ Verify all warning decals and rating labels are in place and legible.
- _ Verify provisions are made to protect workers from falling objects above and below equipment.
- _ Verify hoist and work cage gooseneck are in line with the roof supports.

Operator's Safety:

- _ All persons who service, install, dismantle or use suspended access equipment must fully comprehend and act in accordance with this manual and all appropriate regulations. A competent person is a designated person, suitably trained, qualified by knowledge and practical experience to carry out the required task safely. Training manuals and other documents are available at Sky Climber. Do not hesitate to contact us for more details. 800-255-4629.
- _ Operators must be emotionally and physically able to withstand the stress of working at elevations. Do not work at elevations if subject to seizures or loss of physical control. Operators must be safety conscious, responsible and not under the influence of alcohol, drugs or other substances.
- _ All persons using suspended access systems must at all times wear safety harnesses attached by lanyards and rope grabs to independent lifelines. Use short lanyards and attach the rope grabs as high on the lifeline as practically possible. Lifelines shall be fastened to a fixed anchorage other than the rigging system. Do not disconnect or remove harnesses or lanyards until safely on the ground or until completely disembarked from suspension system to a safe location.
- _ Safety helmet should be worn at all times.
- _ Provide protection for operators from collision with overhead obstacles and falling objects.
- _ Provide adequate protection below the suspended system to prevent injury.
- _ Keep all persons from beneath suspended platforms.
- _ Maintain contact with your supervisor at all times.
- _ Make a copy of this manual available to every person using, erecting and assembling this equipment.
- _ Never work alone on suspended access systems.
- _ Do not over load the equipment.
- _ When high winds are encountered the platform should be lowered to the ground or raised to the roof top and secured.
- _ Do not use suspended access equipment when wind speed exceeds 40km/hour (25 mph)
- _ Do not use suspended access equipment when hazards could arise from wind pressure acting on loads having a surface area in excess of 2m² (21.5 SQFT).
- _ Enclosures or other items that may increase wind loadings shall not be fitted to the platform unless authorized by the manufacturer or done per the design of a qualified engineer.

Operation Safety:

- _Inspect and test the equipment before using, rigging, re-rigging, after de-rigging and at regular intervals to make sure that it is maintained in a safe workable condition. The supervisor should assign a competent person for inspection purposes. In case of equipment failures or difficulties noticed during testing and inspection prior to use, contact your nearest Sky Climber representative and do not use the equipment until it is repaired or replaced. Only use Sky Climber spare parts. Do not alter any equipment. Maintenance may only be carried out by Sky Climber representatives.
- _Verify if all decals and nameplates are properly affixed and legible. If they are obscured or missing, replacements are available at Sky Climber or a local dealer.
- _Never load a work cage above the indicated safe working load.
- _In case of an emergency during operation press the red emergency stop button on the hoist or control unit.
- _Beware of obstacles when there is too small of a clearance between platform and facade. Use longhandled tools when working at large distances between facade and platform. When leaving a suspended platform, in mid air, first secure the cage to the face of the structure in order to keep it from moving away.
- _Do not forget to disconnect the platform from the structure before lifting or raising.
- _Hazardous situations occur when it is not possible to lower platform to a safe position.
- _Rejected equipment must be destroyed.
- _Where an object falling from a platform could pose a hazard to persons below, a screen or other material (provided by others) shall be provided around the periphery of the platform to prevent objects 25mm (1") in diameter from falling through.

PASSIVE WIRE WINDER ASSEMBLY INSTRUCTIONS

WIRE WINDER LOCATION:

1. Wire winder location must be located on a flat surface.
2. The only part of the wire winder that will touch any surface will be the center post base.
3. The cover of the wire winder must not come in contact with the rotating basket. Check this by putting a finger through one of the one inch holes near the center of the wire winder and spin the basket by moving the top of the reel. Make sure it rotates 360 degrees in both directions. If it does not rotate freely the nut may be too tight. Loosen the nut a quarter turn at a time until the basket rotates freely. If the basket rotates freely but rubs against the cover, you must determine where this occurring and by gently lifting up at the bottom edge of the cover you will be able to move the cover away from the basket.

LOADING THE WIRE ROPE:

1. Insert the bitter (brazed) end into the Sky Lock and then into the gearbox. Operate the hoist in the up direction until the brazed tip exits the metal exit tube on the outer rope guide.
2. Remove the female collar and the male-to-male conduit fittings from both ends of the conduit assembly.
3. Tighten one set of the female collar and male-to-male conduit fitting to exit tube of the hoist and the other to the pipe nipple on the wire winder cover. Make sure these are tight.
4. Operate the hoist until seven feet of wire rope has exited the gearbox.
5. Slide your conduit over the wire rope and tighten the female nut to the male conduit fitting on the exit tube of the gearbox.
6. Slide the bitter end of your wire rope through the pipe nipple of wire winder and into the basket.
7. Tighten the female conduit fitting onto the male-to-male fitting on the wire winder cover. The conduit should not twist (turn).
8. Check to make sure the conduit has a smooth arc. No sharp bends. You may have to move the wire winder cover to get the pipe nipple in the correct location.
9. Again check for free rotation of the wire winder. See step 3.
10. Operate the hoist until the slack wire rope on the ground has been taken up into the wire winder and the terminal end of the wire rope is close to the attachment (stirrup). Tighten all hardware to the stirrup. Shoulder bolts with lock nuts have been supplied and used correctly they will not restrict the system from locating itself correctly.
11. This wire winder will not constantly move while the hoist is running. The reaction of the wire rope to the free moving basket will allow correct and proper operation.
12. The unfilled (empty cavity) part of the basket allows unrestricted movement of the working wire rope.

